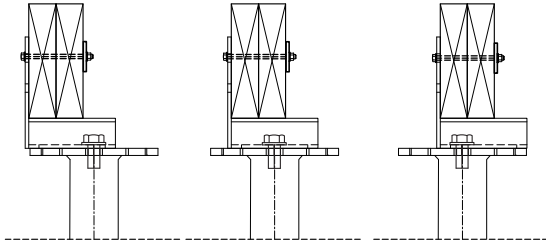


STOPDIGGING! THE GROUND SCREW FOR SOLID FOUNDATIONS	
NAME	Bracket SGL145
VERSION	1.0
DATE	February 2024

Not to scale

CodeMark >>>
CMNZ70132



STOPDIGGING!

THE GROUND SCREW FOR SOLID FOUNDATIONS

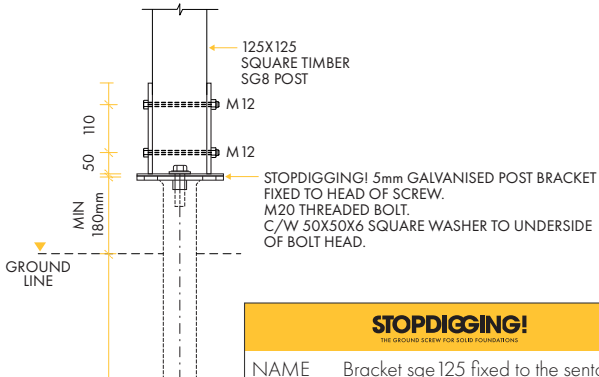
NAME Position of ground screw

VERSION 1.0

DATE February 2024

Not to scale

CodeMark >>>
CMNZ70132



STOPDIGGING!

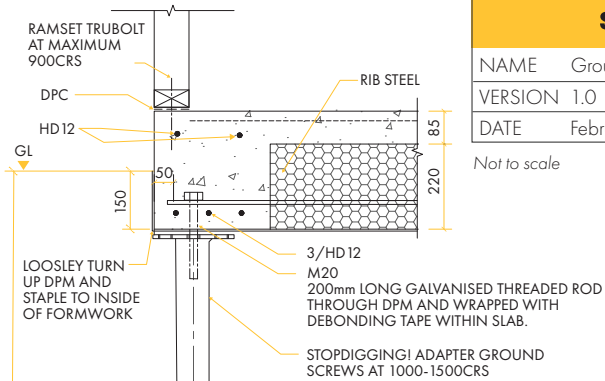
THE GROUND SCREW FOR SOLID FOUNDATIONS

NAME Bracket sge 125 fixed to the senton pile

VERSION 1.0

DATE February 2024

Not to scale



STOPDIGGING!

THE GROUND SCREW FOR SOLID FOUNDATIONS

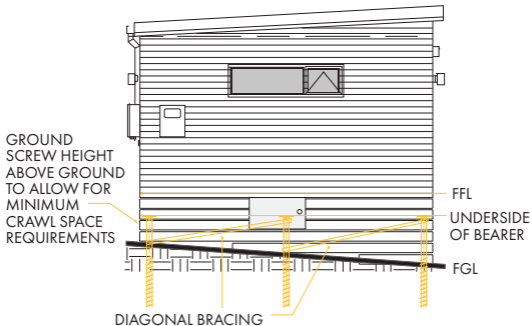
NAME Ground screw supporting concrete slab

VERSION 1.0

DATE February 2024

Not to scale

CodeMark 
CMNZ70132



STOPDIGGING! <small>THE GROUND SCREW FOR SOLD FOUNDATIONS</small>	
NAME	Diagonal Bracing
VERSION	1.0
DATE	February 2024

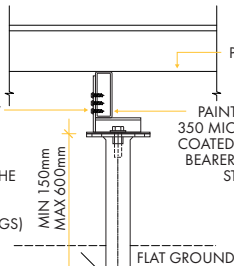
Not to scale

CodeMark 
CMNZ70132

SGL 145 PROPRIETARY BRACKET FIXED TO 150X50X4 RHS STEEL BEARER WITH 5 x 14g TEKSCREWS (NOTE. THE EXISTING M12 HOLES ARE NOT TO BE USED FOR TEKSCREW FIXINGS)

MIN 150mm
MAX 600mm

MINIMUM PILE EMBEDMENT
SUBJECT TO STOPDIGGING!
GROUND VERIFICATION



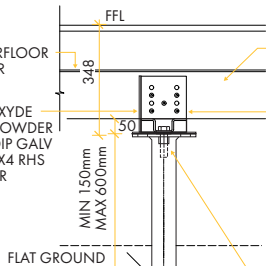
PAINTED IN NOXYDE 350 MICRON OR POWDER COATED OR HOT DIP GALV BEARERS. 150X50X4 RHS STEEL BEARER

FLAT GROUND

PVC UNDERFLOOR LINER

FLAT GROUND

MINIMUM PILE EMBEDMENT
SUBJECT TO STOPDIGGING!
GROUND VERIFICATION



PAINTED IN NOXYDE 350 MICRON OR POWDER COATED OR HOT DIP GALV BEARERS

SGL 145 PROPRIETARY BRACKET FIXED TO 150X50X4 RHS STEEL BEARER WITH 5 x 14g TEKSCREWS (NOTE. THE EXISTING M12 HOLES ARE NOT TO BE USED FOR TEKSCREW FIXINGS)

STOPDIGGING!
PROPRIETARY 20mm BOLT FIXING TO HEAD OF SCREW

STOPDIGGING!

THE GROUND SCREW FOR SOLID FOUNDATIONS

NAME SGC adaptor screw pile SGL145 bracket

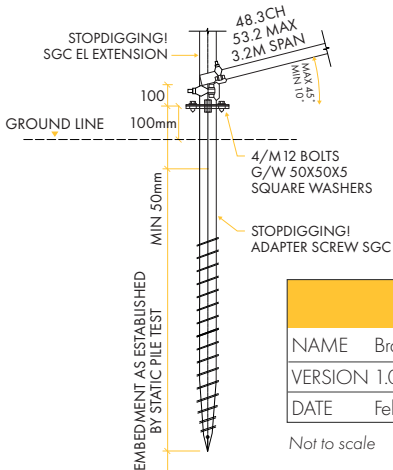
VERSION 1.0

DATE February 2024

Not to scale

CodeMark 

CHNZ70132



STOPDIGGING!

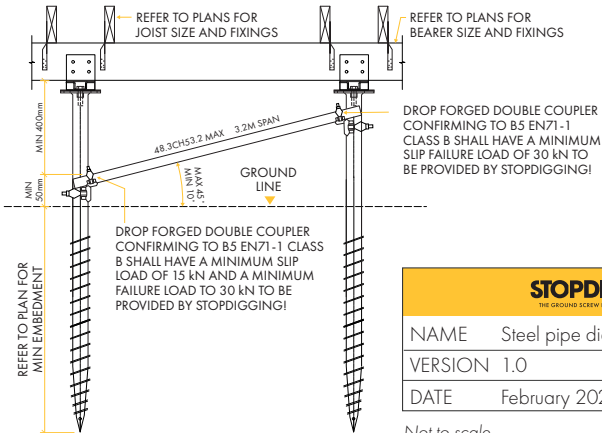
THE GROUND SCREW FOR SOLID FOUNDATIONS

NAME Braced screws with SGC el extension

VERSION 1.0

DATE February 2024

Not to scale



STOPDIGGING!

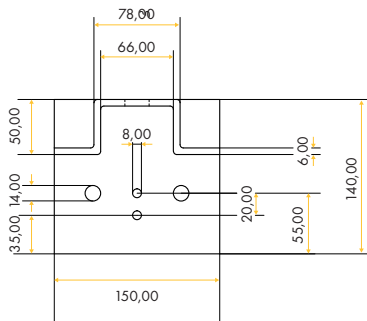
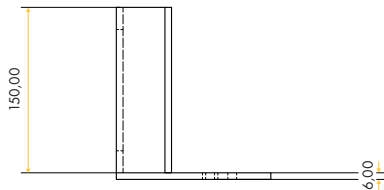
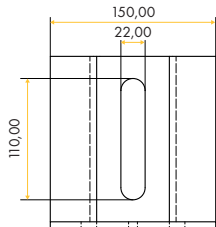
THE GROUND SCREW FOR SOLID FOUNDATIONS

NAME Steel pipe diagonal brace detail

VERSION 1.0

DATE February 2024

Not to scale



STOPDIGGING!
THE GROUND SCREW FOR SOLID FOUNDATIONS

NAME Bracket for hole detail

VERSION 1.0

DATE March 2024

Not to scale

CodeMark >>>
CMNZ70132