

# STOPDIGGING!®



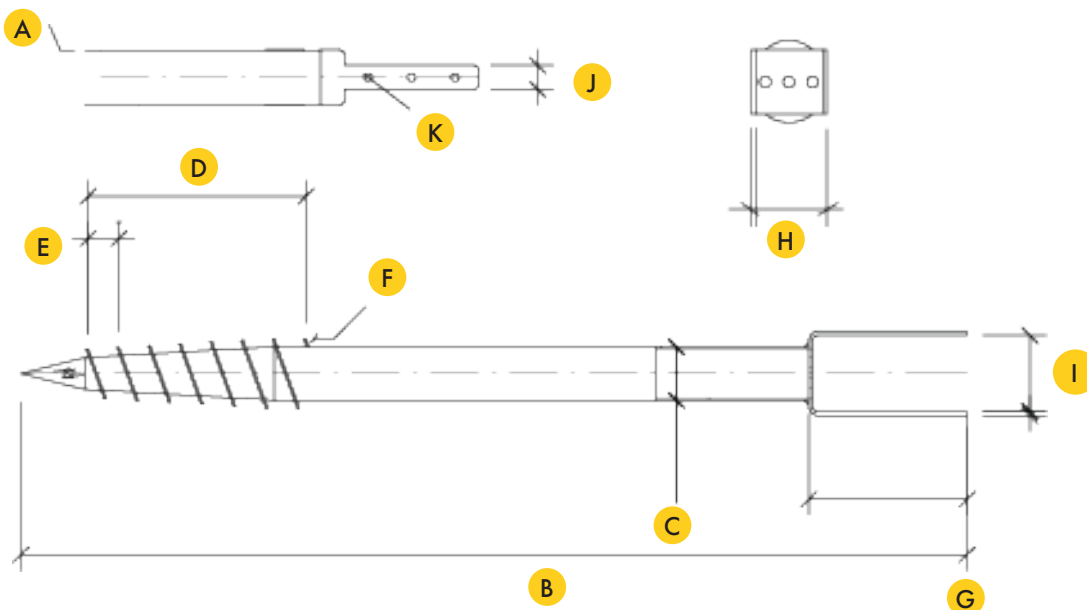
SGS	70x935	95x935	70x1200	95x1200	
Art no	2001	2002	2003	2004	
A Screw thickness	2				mm
B Screw length	935		1200		mm
C Outer diameter	67				mm
D Helix length	280				mm
E Helix spacing	40				mm
F Helix height	10				mm
G Height	200				mm
H Thickness	5				mm
I Opening	70	95	70	95	mm
J Width	30				mm
K Hole diameter	11				mm

**CERTIFICATE**

Material	ISO 630 FE 360A
Product	EN 1090
Galvanization	EN 1461
Manufacturing process	ISO 9001:2015
Installation process	ISO 9001:2015
*Expected min. service life	100 years



Compression capacity	6,0	12,5	kN
Tensile capacity	4,5	6,5	kN
Lateral capacity	3,0	4,5	kN



\* Terms apply, see warranty terms