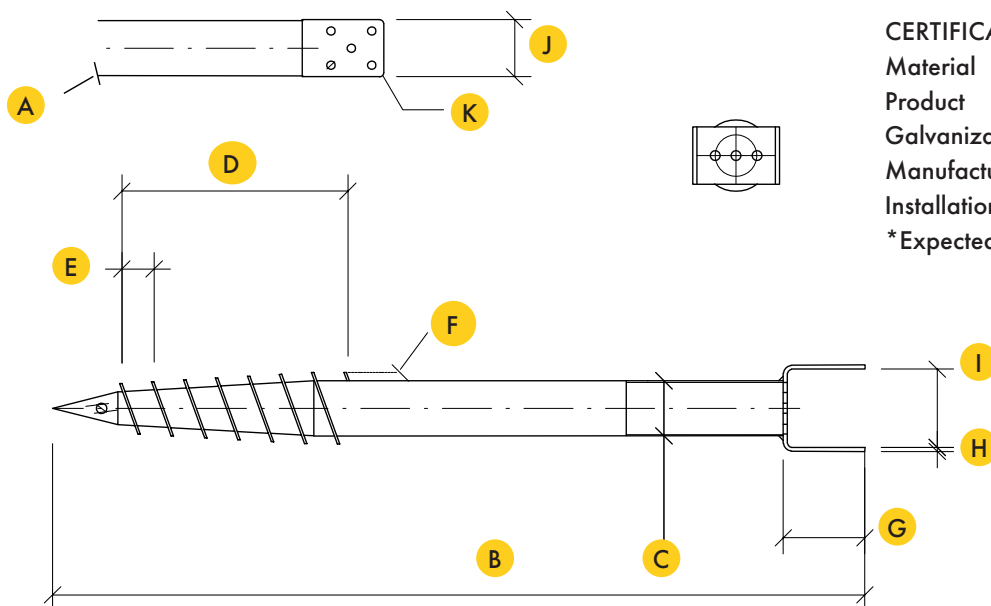


STOPDIGGING!®



SGU	95x580	95x865	95x1000	95x1200	95x1600	
Art no	10055	1002	1003	1004	1006	
A Screw thickness	2					mm
B Screw length	580	865	1000	1200	1600	mm
C Outer diameter	40	67				mm
D Helix length	280				600	mm
E Helix spacing	40					mm
F Helix height	10					mm
G Height	100					mm
H Thickness	5					mm
I Opening	95					mm
J Width	70					mm
K Hole diameter	11					mm

Compression capacity	2,5	6,0	10,5	12,5	17,5	kN
Tensile capacity	1,7	4,5	5,5	6,5	8,0	kN
Lateral capacity	0,5	2,5	3,5	4,5	7,0	kN



CERTIFICATE

Material
 Product
 Galvanization
 Manufacturing process
 Installation process
 *Expected min. service life

ISO 630 FE 360A
 EN 1090
 EN 1461
 ISO 9001:2015
 ISO 9001:2015
 100 years

* Terms apply, see warranty terms